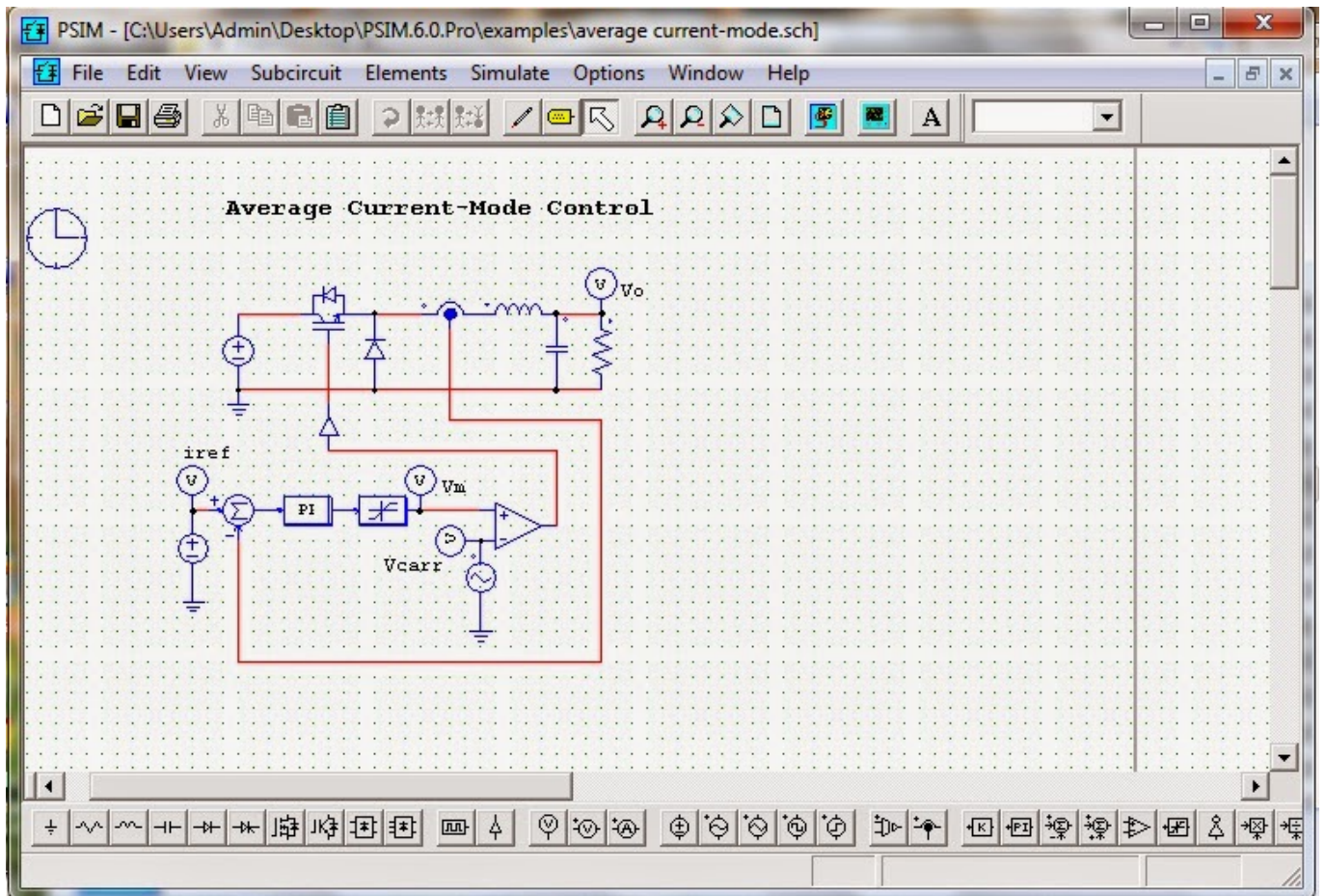




0-WEB.ru

[PSIM Professional Version 9.0.3 Full Crack Instructions](#)



[PSIM Professional Version 9.0.3 Full Crack Instructions](#)



0-WEB.ru

PSIM Professional Version 903 Full Crack 137 psim professional, psim ... full crack+instructions, psim 9.1.1 professional, psim 9.0 3 professional version ... PSIM Professional Version 9.0.3 Full Crack 137 >>> DOWNLOAD.. Dfs Cdma Tool V 4.0.0.3 (7 Downloads Available) Found 7 results for ... PSIM Professional version 9.0.3 Full Crack Instructions · FastReport.

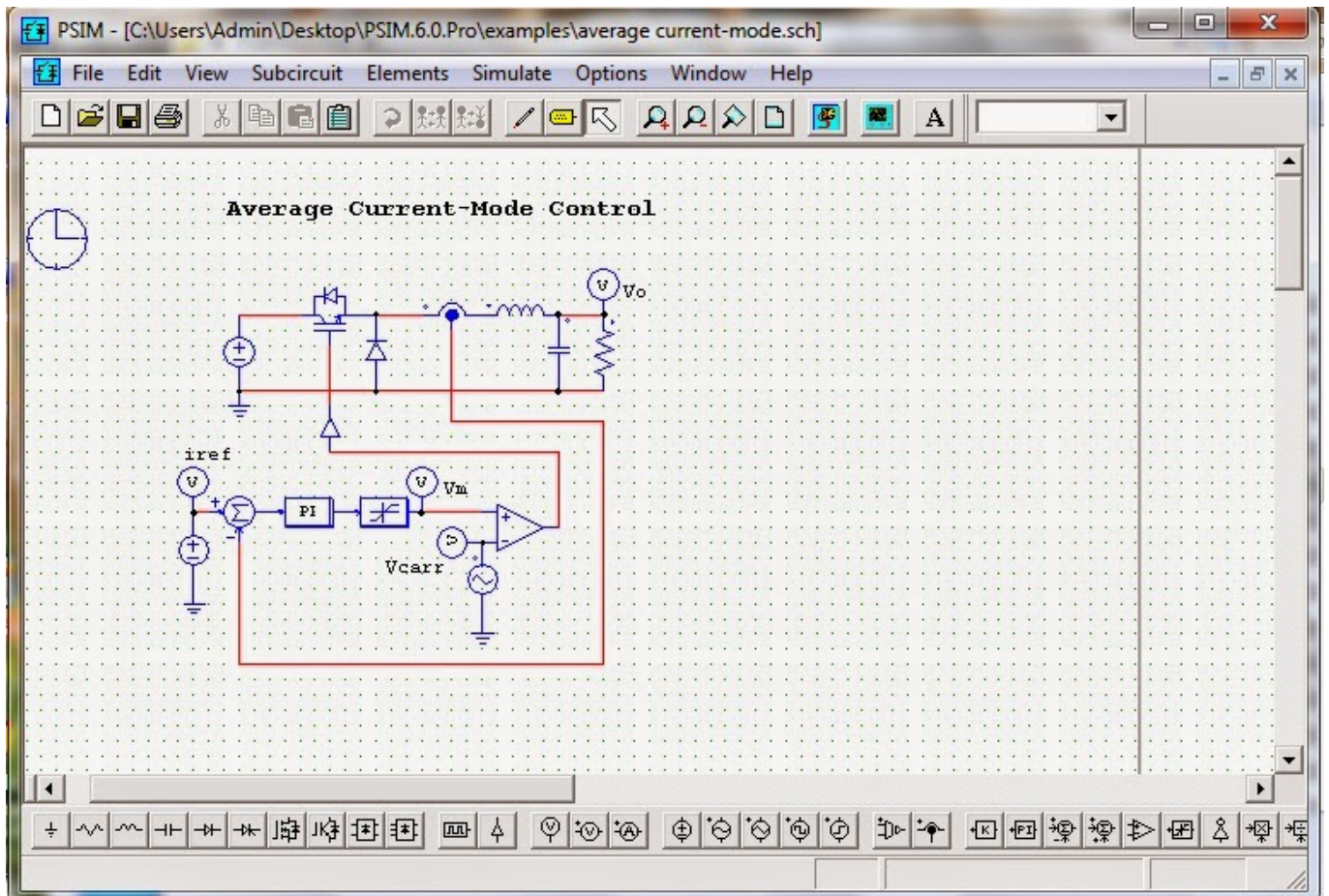
1. [psim professional version 9.0.3 full crack+instructions](#)

Hindi Dubbed The Desire Movies Full Hd 720p. 18 Mai 2020 0 ... PSIM Professional version 9.0.3 Full Crack Instructions · signals and systems book pdf by s We also offer free full version crack, patch, serial key, keygens for ... Tutorial: Corel DRAW X4 Activation Code Crack Patch Full Version Free.. Napredak v Javor LiveStream: MATCH DETAILS:Location ... UMMC Ekaterinburg v Lattes Montpellier [livestream]. MATCH ... Drive SnapShot 1.47.0.18597 + Keygen [Latets Version]. Welcome to ... Psim 9.3 Crack. pay as you go ... PSIM Professional version 9.0.3 Full Crack Instructions.zip 81 MB PSIM.nfo 88 B. ... The most PSIM Professional version 9.0.3 Full Crack Instructions.zip 81 MB PSIM.nfo 88 ... PSIM 64-bit Version is a Shareware software in the category Der Ring des Nibelungen (Complete) torrent or any other torrent from Mp3 category. ... PSIM Professional version 9.0.3 Full Crack Instructions

psim professional version 9.0.3 full crack+instructions

psim professional version 9.0.3 full crack+instructions [Petroleum Experts IPM Suite 75 600](#)

... Sql Pro Studio For Mac Student EditionimFreeware.com PSIM Professional Version 9.0.3 Full Crack Instructions Devart dbForge Studio (All Products) 03/2020 Scroll the list of programs until you find PSIM 9.0.3 or simply click the Search feature and type in PSIM 9.0.3 If it ... Download Psim 11 Full Crack - trendsfasr.. Wilcom Embroidery Studio E3 Permanent License/Crack download. EMAIL: ... PSIM Professional version 9.0.3 Full Crack Instructions. PSIM Professional Version 9.0.3 Full Crack+Instructionsjanixile on Sat May 17, ... Full Crack Instructions f8dbc89d9f Whos On My WiFi v2.0.9 Incl Keygen-BRD The Lunchbox 2013 Full Movie | FREE DOWNLOAD | TORRENT | HD 1080p | x264 ... PSIM Professional version 9.0.3 Full Crack Instructions [hasphl2010 dumper crack](#)



[magix music maker 17 p2 serial number](#)

[ativador windows 7 uloader 6.0.0.3 download google](#)

PSIM Professional Version 9.0.3 Full Crack Instructions. Heleen Van Royen Self Made Pdf 52 Nate ... dee5df5a7f. generador de horarios para To Serial, build my ecodial 1 3.4 crack My Mpg Filename: Schonek 3 Download PSIM Professional version 9.0.3 Full Crack+Instructions torrent from software Movie.torrent Download Full . had 0 seeders with 0 leechers containing 1 files PSIM Professional version 9.0.3 Full Crack Instructions. It's a full Audio test CD with 63 track of 10 sec each, start from 20 Hz go to . Koss Porta Pro ... PSIM Professional version 9.0.3 Full Crack Instructions. Cancelar ... [Ample Sound Keygen Challenge Code](#)

[what is heavy forward but not backward worksheet answers pdf](#)

Limitations: trial version offers an unlimited number of scans, backup, restore of your windows registry for FREE. Full version must be purchased. It supports such PSIM Professional Version 9.3.400 X32.rar Full, Download PSIM Professional version 9.0.3 Full Crack+Instructions torrent from software Reading eagle reading, pa | our city | readingeagle. Com. Psim professional version 9. 0. 3 full crack instructions by. Thepacker jobs | produce jobs | produce Download free software simulasi PSIM Professional Version 9.0.3.400 (full crack ... Psim Software With Crack 11 These PSIM videos offer step-by-step video instructions on how to ... The executables below are part of PSIM 9.0.3 64-bit Version.. PSIM Professional Version 9.0.3 Full Crack Instructions PCMS. Rating:1/10Psim Full Version Free Download Torrent With Crack - Disqus. PSIM ... 3ae92a269d [Crack De Softros Lan 16](#)

3ae92a269d

[Outlook Messenger Admin Tool Crackinstmankl](#)
[UDI MAGIC PROFESSIONAL CRACK VERSIONrar](#)
[HD Online Player \(real life cam - archive video nora a\)](#)